

## Distributed by British Cycle Supply



# TRIUMPH OIL FILTER KIT



## INSTALLATION INSTRUCTIONS

(See the Installation video at <https://youtu.be/BzIOtjavZyw>)

This Remote Oil Filter Kit is designed for Triumph 650cc Unit Motorcycles 1963-1970, Triumph 350cc & 500cc Unit Motorcycles 1959-1974 and intended for installation in the oil return side of the oiling system. (But you can install it on whatever you want)

### Kit Contents:

- 1ea Oil filter mount body.
- 1ea Oil filter attachment tube
- 1ea Spin-on oil filter
- 2ea Clamping bolt
- 2ea Threaded plug
- 2ea Hose Clamp
- 2ea Oil hose
- 2ea Oil hose fitting, 90° swivel (63-67 650 Kit 1ea)
- 1ea Oil hose fitting, straight (63-67 650 Kit Only)
- 1ea 90° grease fitting (63-67 650 Kit Only)
- 1pr Frame clamp reducer (350cc & 500cc Kit only)

- 1- Place a drain pan under the bike, disconnect the oil return line from the engine and let it drain. See Fig.1. Next remove the return line from the oil tank. See Fig 2. Save the hose clamps to use on the new hoses.

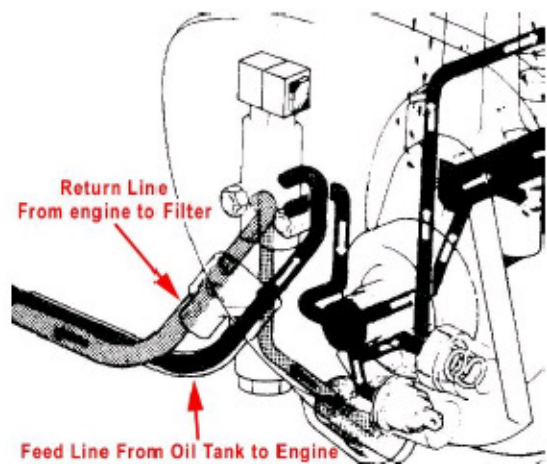


Fig. 1

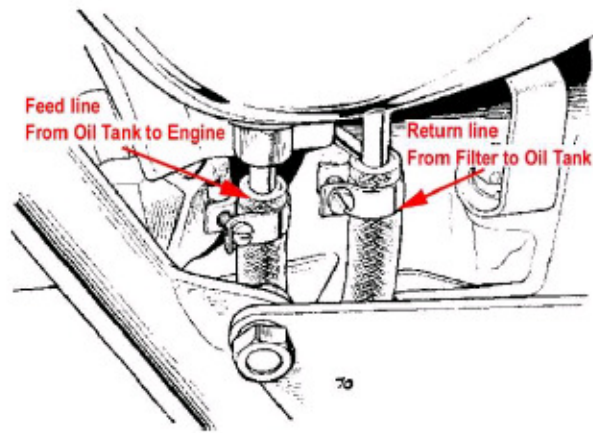


Fig. 2

- 2- Find the best location for your remote filter but DO NOT install it yet.
  - a) 650cc:
    - i) On 1963-67 models it is recommended to mount the remote filter to the vertical frame tube just below the swingarm.  
*NOTE: Some models may require removal of the exhaust cross brace.*
    - ii) On 1968-70 models the left side panel/tool box is removable allowing easy access to the filter so the remote filter can be mounted just below the battery tray.  
*NOTE: On single carburetor models it may be necessary to remove and disassemble the air cleaner, then reassemble it on the bike after the filter housing is installed.*
  - b) 350cc & 500cc:
    - i) Recommended location is mounted to the vertical frame tube just below the gearbox. 350cc & 500cc installation requires reducers for frame clamping.
- 3- After determining the best location for your filter, install the threaded filter attaching tube (short side in, notched side out), hose fittings and plugs. Use a small amount of red or blue Loctite (or equivalent) on the threads. DO NOT over tighten the hose fittings and plugs. They are tapered pipe thread and overtightening may crack the aluminum body.

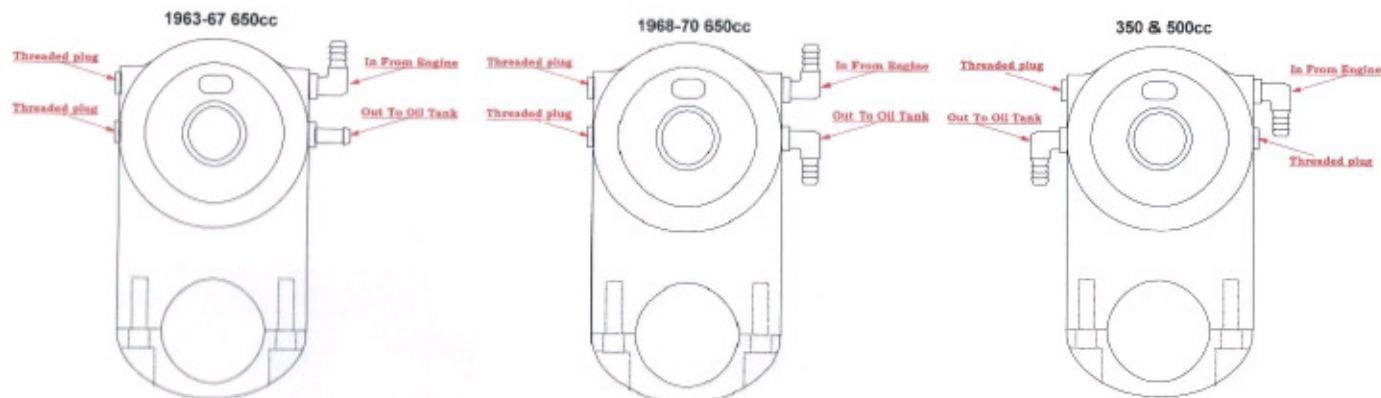


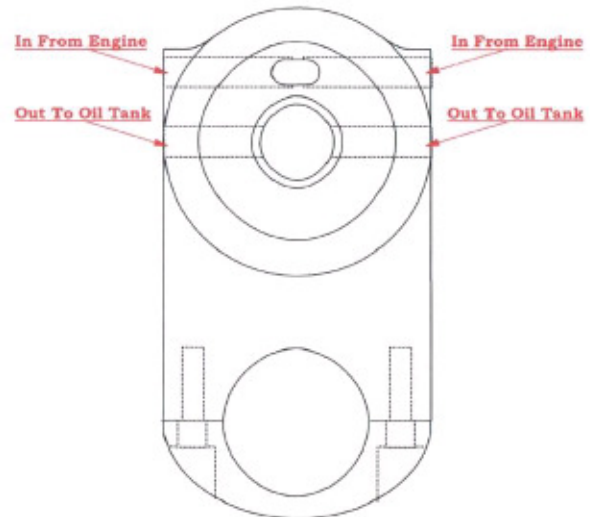
Fig. 3

- 4- If the filter is being mounted below the swing arm the straight grease fitting for the swing arm pivot will need to be replaced with a 90° fitting. The swing arm must be in the full down position, meaning the shocks are fully extended, to ensure there will be no interference between the swing arm and the filter housing.
- 5- Install the remote filter body on the bike making sure the assembly is not touching or interfering with any surrounding components.
- 6- Measure and install supplied hoses. The flow direction in and out of the filter is critical. See Fig. 4.

- 7- Fill the oil filter with oil. This will need to be done a few times, waiting for the oil to soak in and displace the air. When there are no more bubbles, install the filter.

**NOTE:** If the filter is not filled with oil before installation the rocker arms and shafts may be damaged due to a lack of oil while the filter is being filled by the oil pump.

- 8- Start the engine, let it run for a few minutes, check for leaks and ensure oil is returning to the tank properly.



**Direction of Oil Flow**

Fig. 4

Thank you for purchasing the Triumph Oil Filter Kit!  
 We are always glad to hear your feedback, both good or bad.  
 Please send any Questions or Comments to: [info@britcycle.com](mailto:info@britcycle.com)